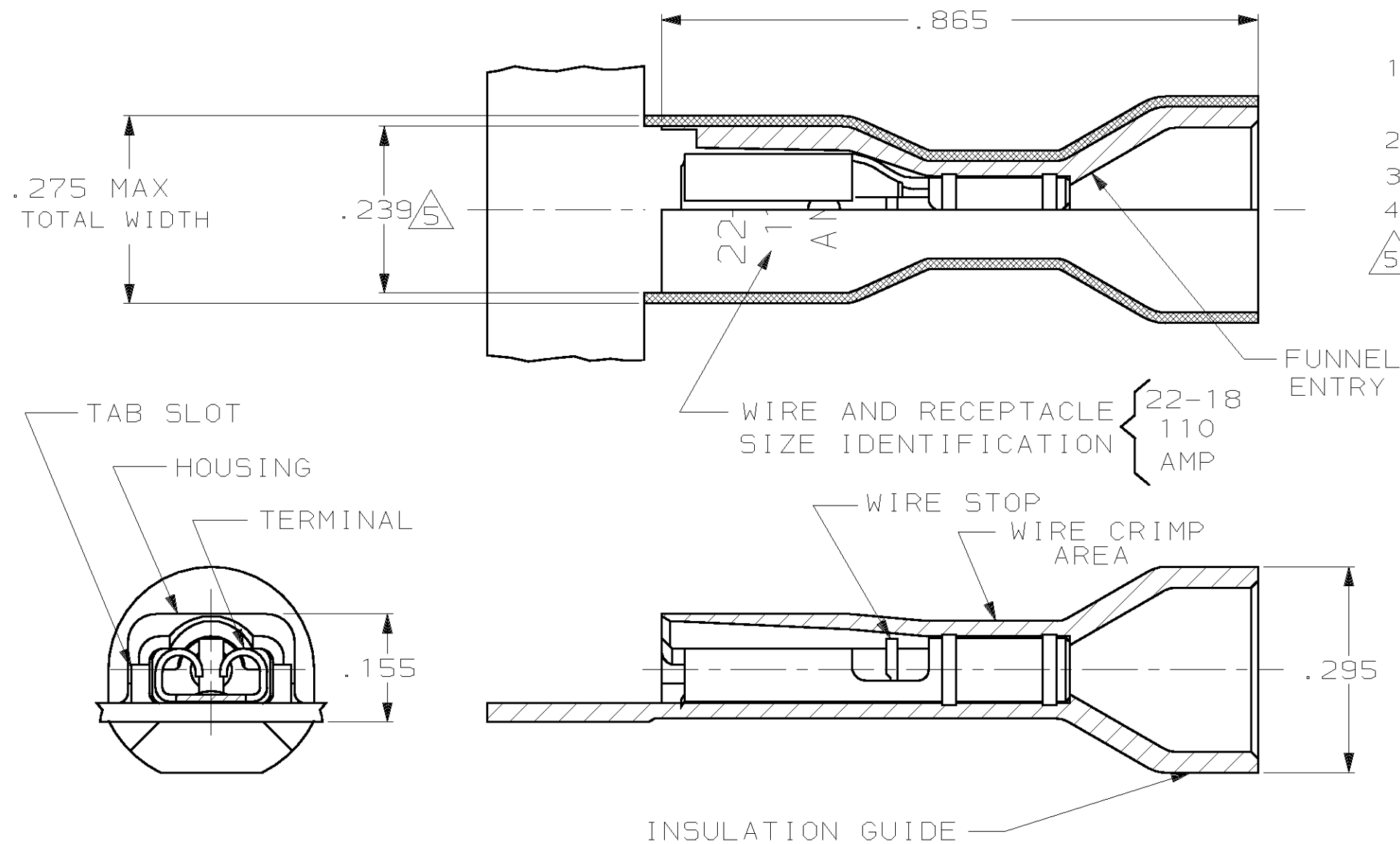


THIS DRAWING IS UNPUBLISHED. RELEASED FOR PUBLICATION, 19
 © COPYRIGHT 19 BY AMP INCORPORATED. ALL INTERNATIONAL RIGHTS RESERVED.

LOC AF	DIST 50	P	F	REVISIONS			DATE	APPD
				ZONE	LTR	DESCRIPTION		
					G	REV PER 0G1A-0145-99	3JUN99	JR/JH



- 1 MATES WITH .032±.001 X .110 OR .125 TABS.
- 2 WIRE STRIP LENGTH .281
- 3 INSULATION SIZE .230 MAX DIA
- 4 CONTINUOUS STRIP ON REELS
- △5 DIMENSION DOES NOT INCLUDE TRIM BURR

HOUSING: NYLON, COLOR-RED TRANSLUCENT		2-520310-2	
RECEPTACLE: #3 HARD BRASS			
TIN PL .000080 MIN THK PER MIL-T-10727			
MATERIAL & FINISH		PART NO	
DO NOT SCALE PRINT. UNLESS SPECIFIED DIMENSIONS IN INCHES TOLERANCES ON: 2 PLC DEC ± - 3 PLC DEC ± .015 ANGLES ± -		AMP INCORPORATED Harrisburg, Pa. 17105	
MATERIAL SEE TABLE		NAME RECEPTACLE ASSY, ULTRA-FAST, .110/.125 SERIES, 22-18 AWG	
FINISH SEE TABLE		SIZE B	DRAWING NO 520310
DR 5/8/89 P FORTNEY CHK 5/8/89 MS FEHER APPD 5/8/89 K RANDOLPH APPD 5/8/89 TL SHUTTER PRODUCT SPEC 108-2043 APPLICATION SPEC 114-2123 WEIGHT -		FSCM NO 00779	SHEET 1 OF 1
		SCALE 5:1	